



FI000401G17



USO E MANUTENZIONE **I**

USE AND CARE **GB**

UTILISATION ET ENTRETIEN **F**

GEBRAUCH UND WARTUNG **D**

EMPLEO Y MANUTENCION **E**

USO E MANUTENÇÃO **P**

BAKIM VE KULLANIM **TR**

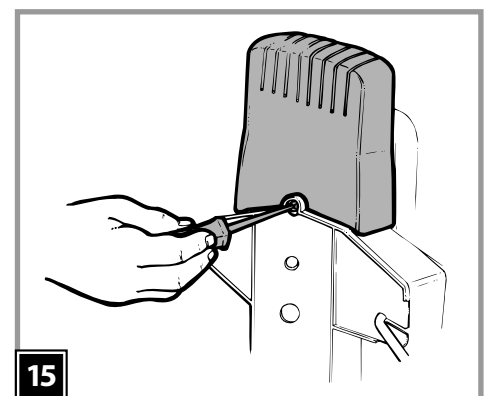
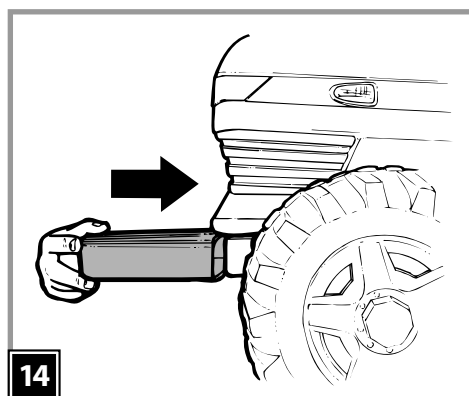
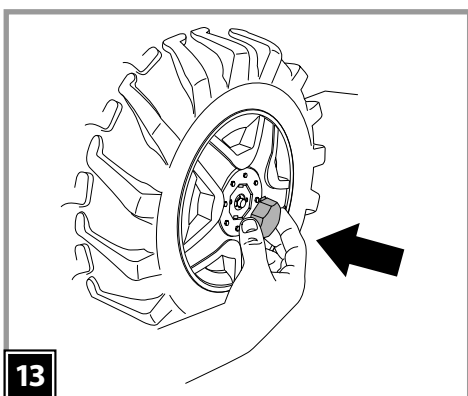
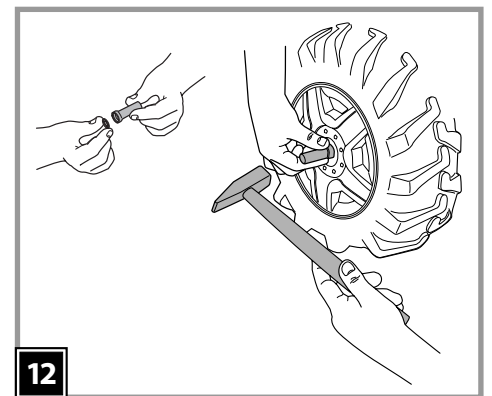
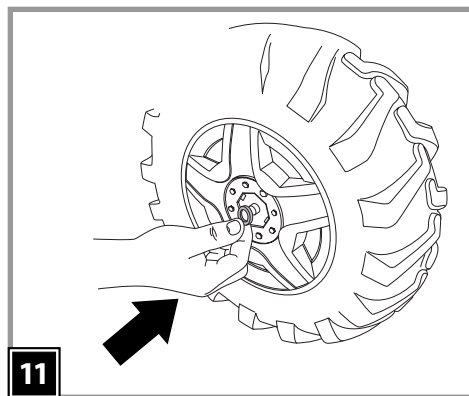
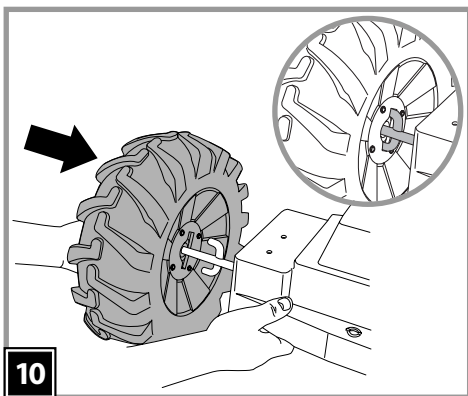
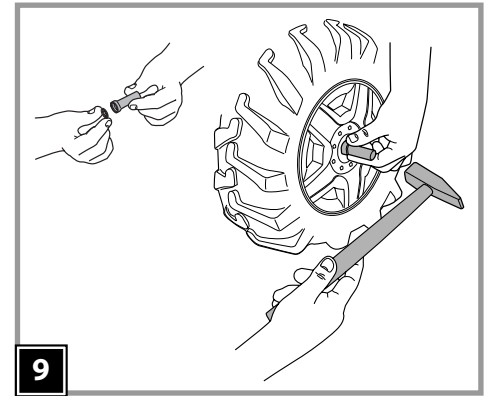
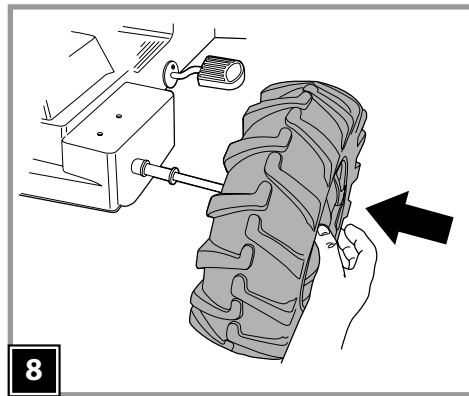
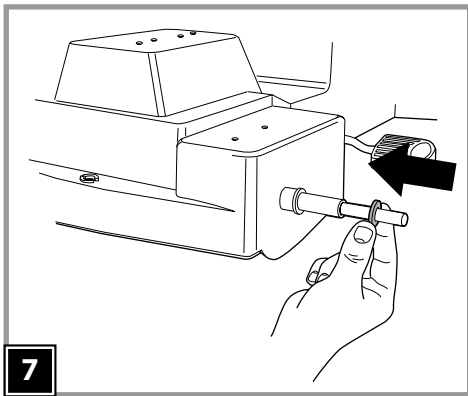
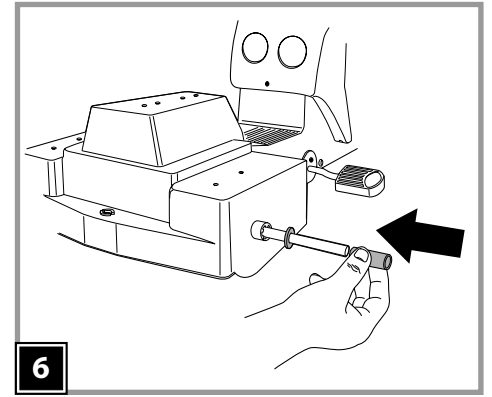
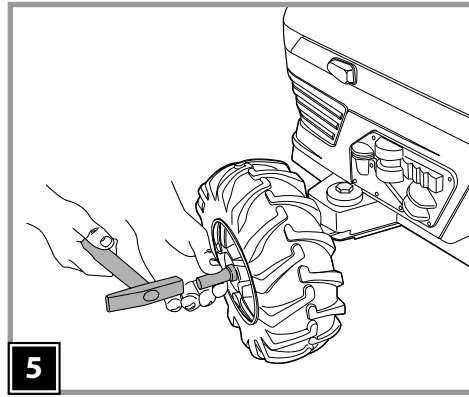
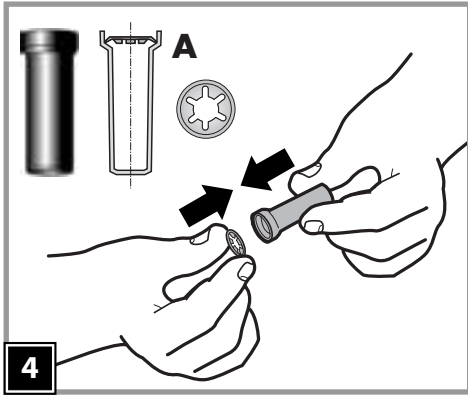
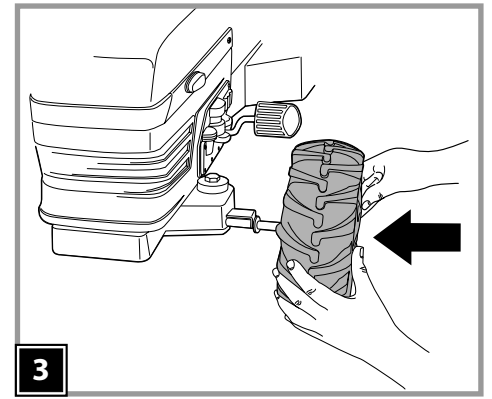
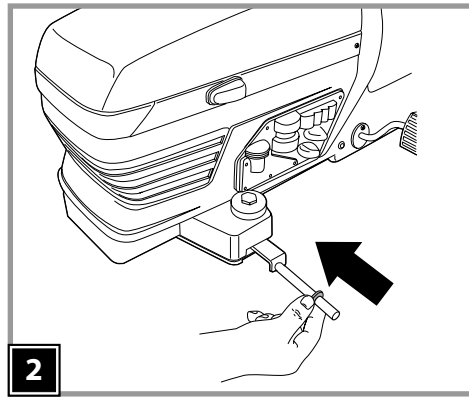
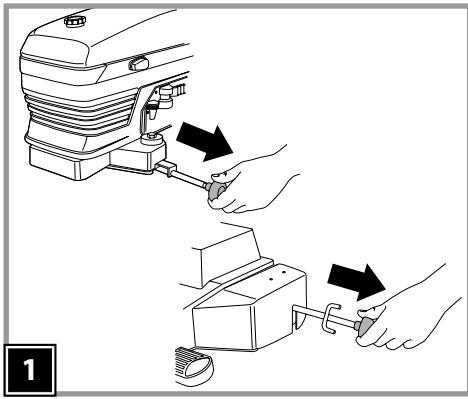
ЭКСПЛУАТАЦИЯ **R**

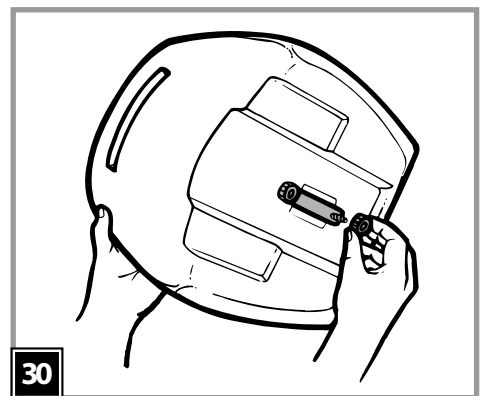
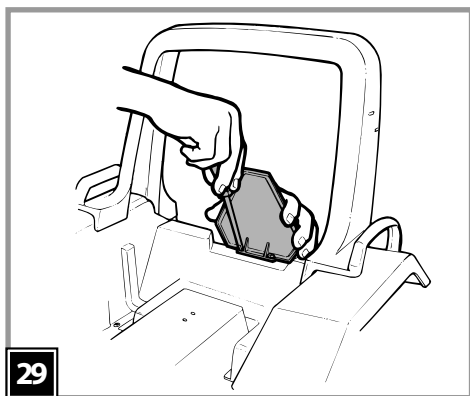
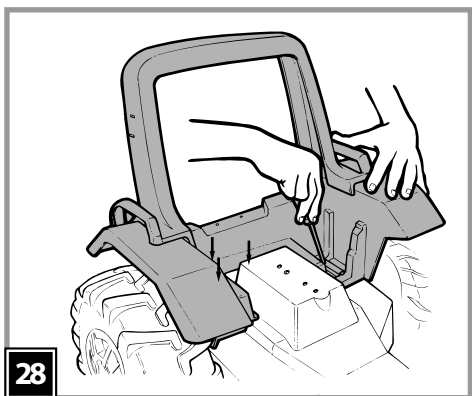
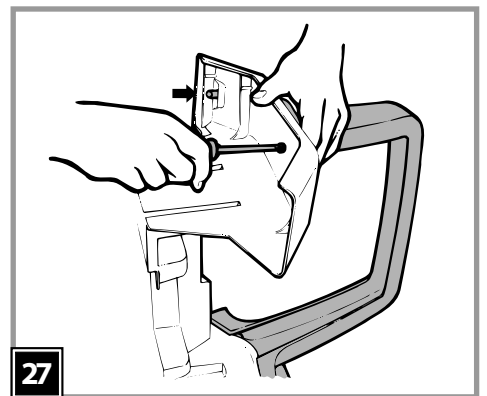
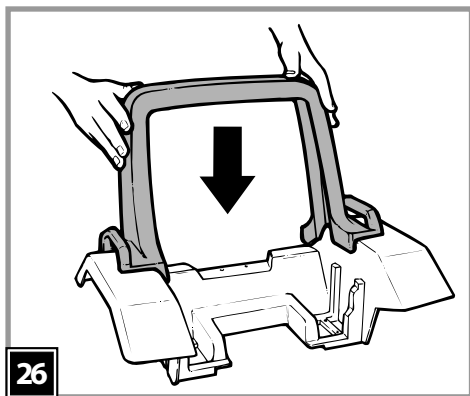
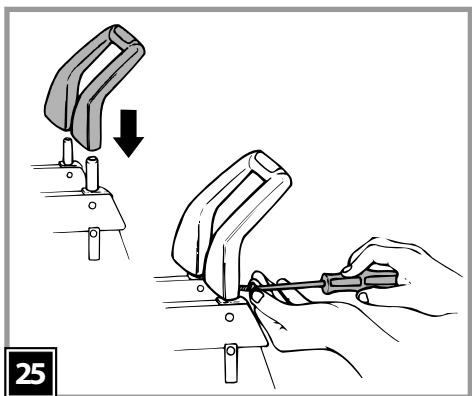
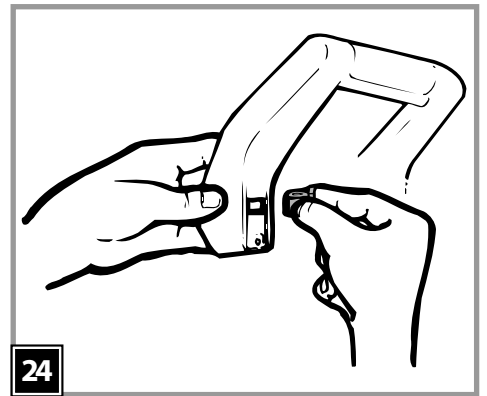
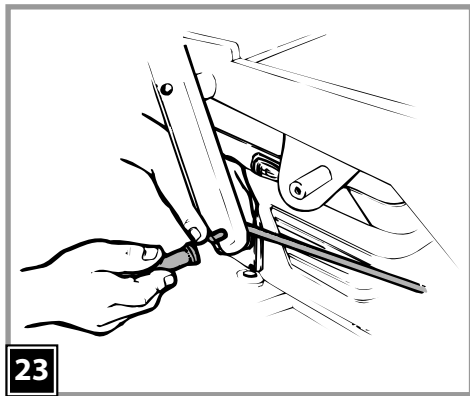
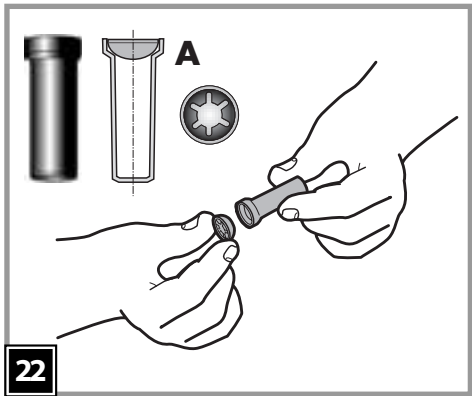
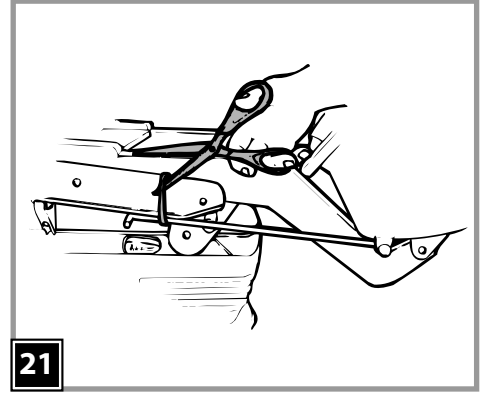
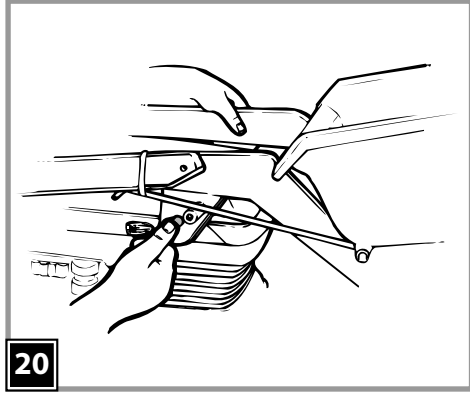
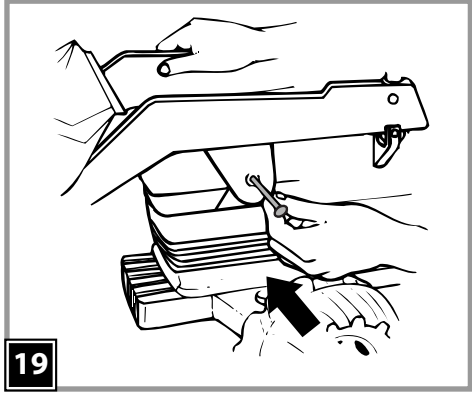
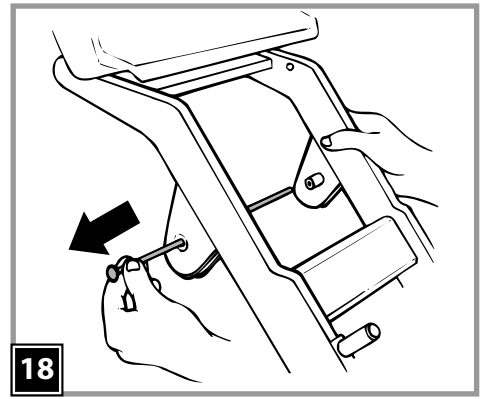
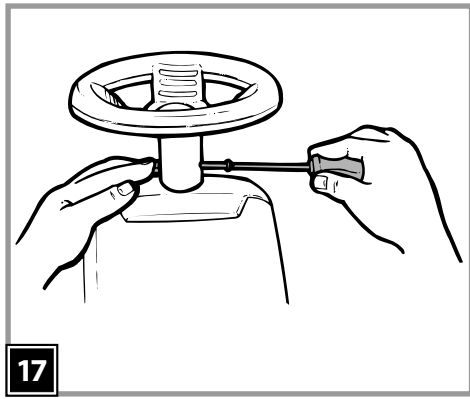
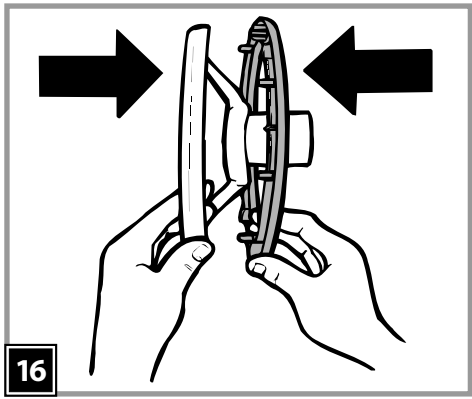
ΧΡΗΣΗ ΚΑΙ ΣΥΝΤΗΡΗΣΗ **GR**

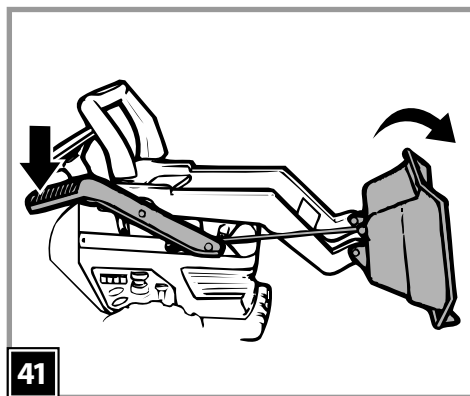
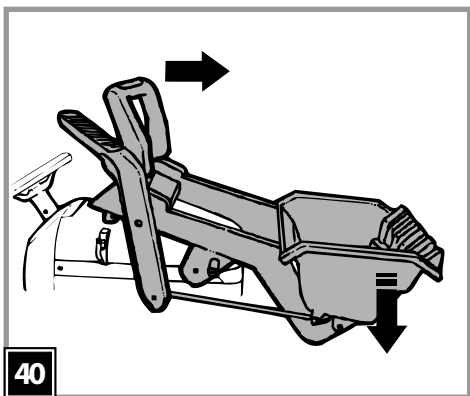
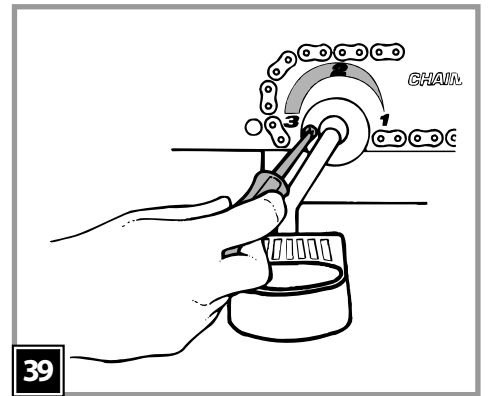
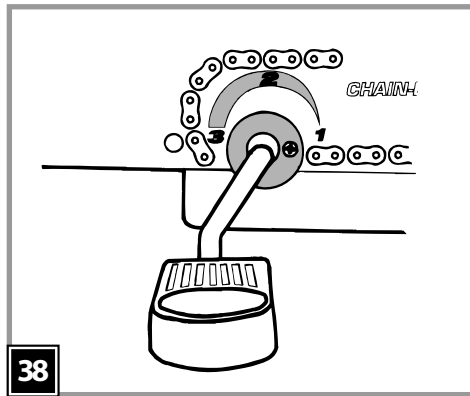
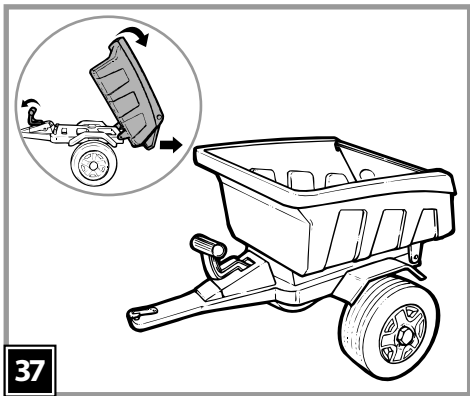
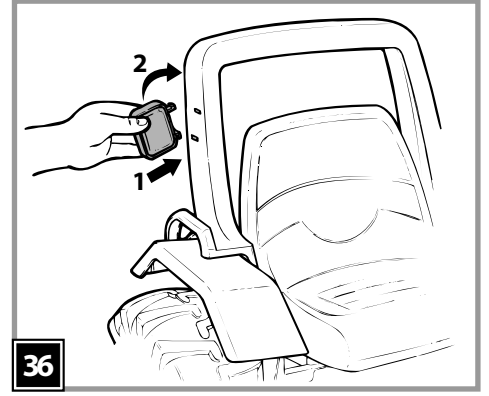
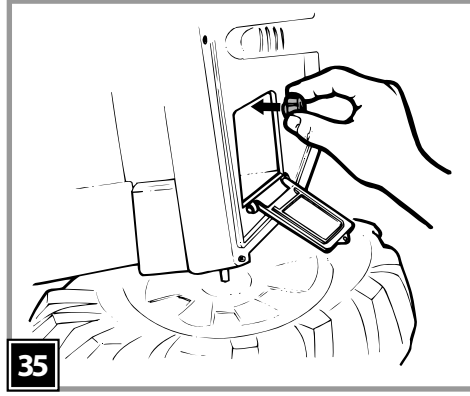
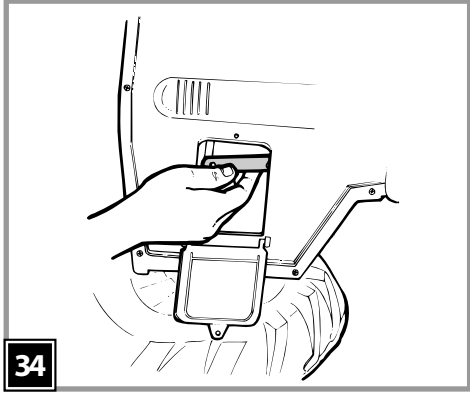
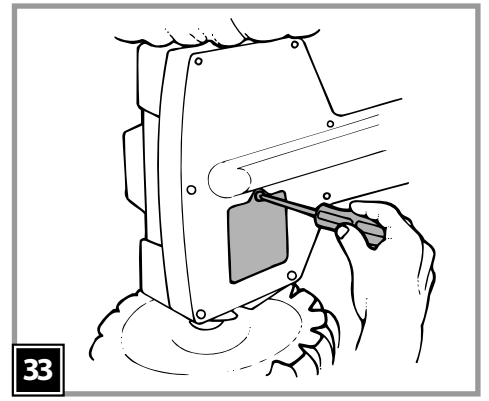
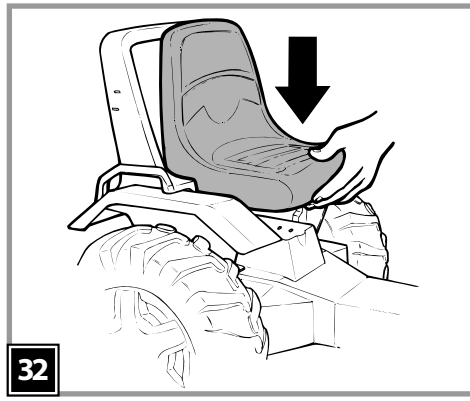
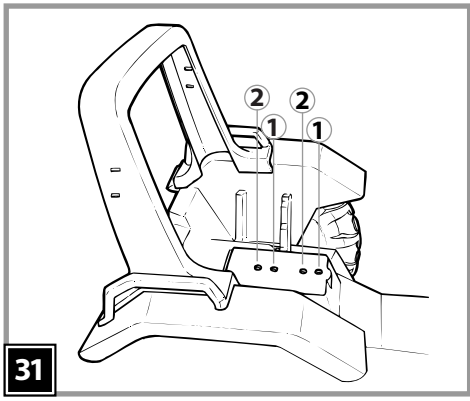


# EXCAVATOR

model number IGCD0542







- |       |             |
|-------|-------------|
| 1     | ASGI0065N   |
| 2     | ASGI0066YG  |
| 3     | ASGI0124NYG |
| 4     | SPST3215N   |
| 5     | MMEV0164    |
| 6     | ASGI0128YG  |
| 7     | SPST3729GR  |
| 8     | ASGI0032Y   |
| 9     | SARP3740GR  |
| 10    | ASGI0130N   |
| 11    | SPST3808N   |
| 12    | SPST8232N   |
| 13    | SPST3731YG  |
| 14    | SPST0210GP  |
| 15    | SPST3771ILC |
| 16    | SOGI0030SC  |
| 17    | SOGI0029    |
| 18 dx | SARP3738DN  |
| 18 sx | SARP3738SN  |
| 19    | SPST3736YG  |
| 20    | SPST3185R   |
| 21    | SPST3735YG  |
| 22 dx | SARP3737DN  |
| 22 sx | SARP3737SN  |
| 23    | ARGI0024    |
| 24    | SOTF0133C   |
| 25    | SPST3396GP  |
|       | SPST3404GP  |
| 26    | SPST0441GP  |
| 27    | SPST3811GP  |
| 28    | SPST0265N   |
| 29    | SPST3813GP  |
|       | SPST3814YG  |
| 30    | SMCT0041    |

ADESIVI	ADESIVOS
DECAL	ÇIKARTMALAR
DECALCOMANIES	НАКЛЕЙКИ
AUFKLEBER	АУТОКОМАНТА
CALCOMANIAS	

